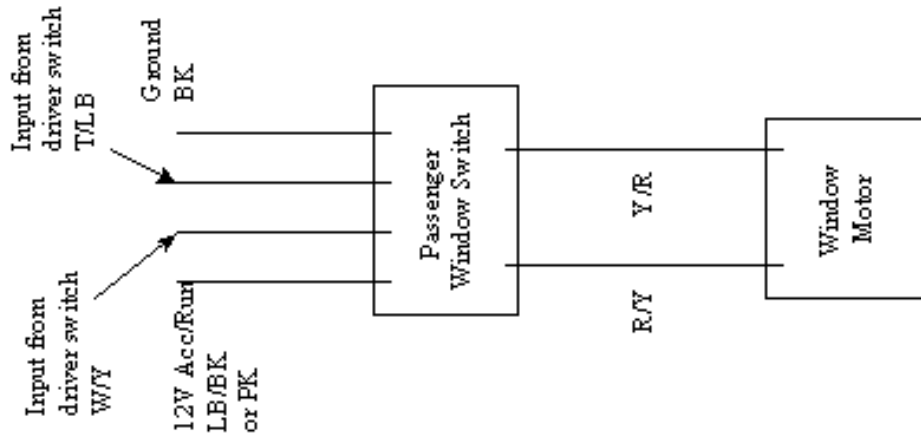
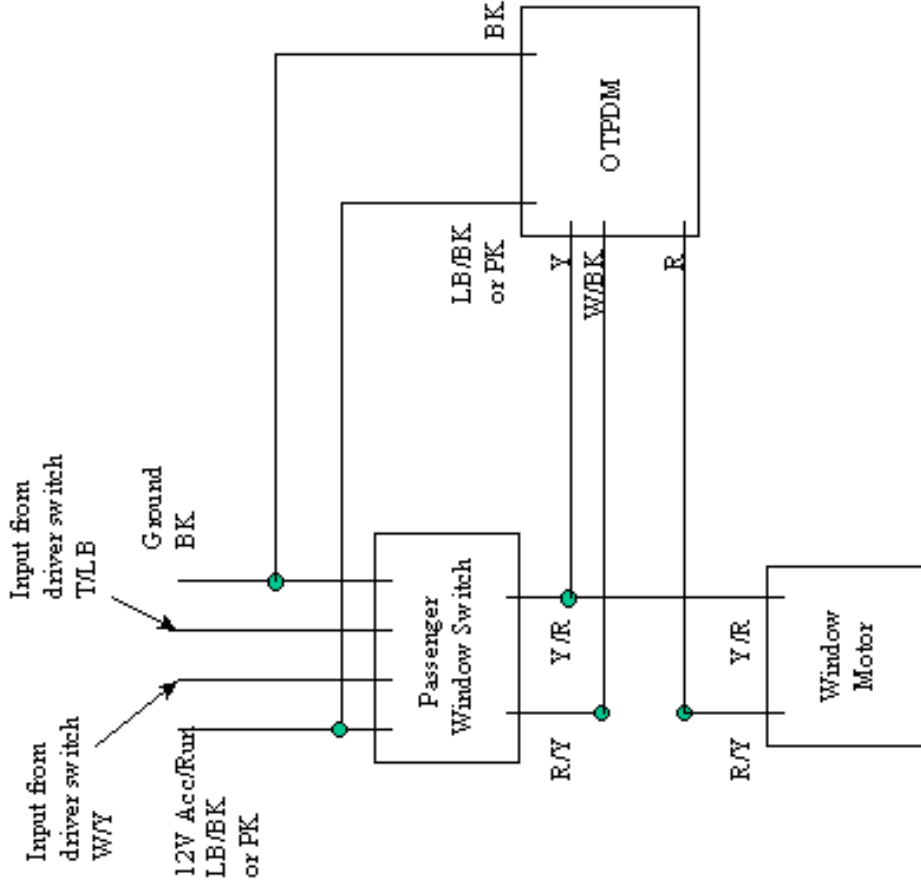


Original Wiring



Wiring w/OTFDM



This method only requires the R/Y wire to be cut. All other connections should be made in line using splice connectors or by soldering.